



Product guide

Nursery gym

Deutsche Anleitung ab Seite 17

IMPORTANT

Save these instructions for reference

Thank you for choosing the Nursery gym. You are probably looking at a pile of cartons right now and wondering if it's possible to build a gym out of it all. Of course you can! This guide will take you through the process step by step.

The first pages help you to become familiar with the different components and the makeup of each gym kit. The next part of the guide shows you the basic techniques you will need to assemble your gym. Lastly, choose which pattern of gym best fits your space and ideas, and have a great time building!

Getting started	2
Maintaining your gym	3
Basic skills	4
Climb and crawl	6
Up and over	6-7
Climb and slide	7
Sand dune	8
Rapunzel's tower	8
Billy goat's bridge	9
Knightsbridge	10
Tower bridge	11
Mole hole	12
Gnome home	13
Windsor castle	14
The palace	15



Getting started

Lay the pieces of your Nursery gym on the floor. You will see which parts you need to build the kit you have using the chart on the facing page. The short panels are for the first layer of the gym; the tall ones are for the second layer. Make sure you have all the parts before beginning to build your gym. If any parts are broken or missing, call customer service at 0800 387 457.



⚠ Warnings

Failure to follow these warnings and the assembly instructions could result in serious injury or death.

- ▲ This product is intended for use by children of immature judgment; therefore supervision is required at all times.
- ▲ The Nursery Gym is appropriate for ages 6 to 36 months.
- ▲ Do not attempt to build or take apart your gym by yourself. You need at least two adults working together to do this safely.
- ▲ Children should not be in the room during setup.
- ▲ Test the joints for stability before allowing children to play on the structure.
- ▲ Use the layouts supplied in this product guide. We cannot take responsibility for free-form structures. However, you may exchange panels of like size and shape within your set.
- ▲ Do not provide anything on the top level of your gym which children can use to climb over the sides.
- ▲ When the youngest children are using the Nursery gym, the slide is the area requiring the most adult supervision. Use the gate at the top of the slide when there is insufficient supervision.

- ▲ Your Nursery gym must be directly against the wall of your room, or more than 50 cm away. Any gym with a tunnel must be 50 cm or more from the wall. This is to avoid dangerous gaps and to provide adult access around the gym.
- ▲ When placing a nursery gym, ensure a one metre clearance zone all around the gym unless against a wall (as above). Keep doorways and other traffic zones in mind.
- ▲ Ensure that the clearance zone is free from sharp edged objects or projections.
- ▲ Do not use with the balcony against the wall as this creates a dangerous gap.
- ▲ Do not place the stairs alongside the slide as this creates a dangerous gap.
- ▲ To change a lower level panel you must disassemble your gym.

This product complies with BS EN 1176-1.

⚠ CAUTIONS

- ▲ This product is intended for indoor use only.

Gym parts	Stairs	Ramp	Banister panel	Banister brace	Slide with gate	Bridge with rails	Tunnel	Carpet platform	Roof	Balcony	Steering wheel	Mirror panel	Clear panel	Carpet panel	Small mirror	Small plywood	Long post	Short post
Climb and crawl G805 (p6)	1	1	4	2											2	3	2	4
Up and over with roof G807 (p6)	1	1	4	2				1	1			1		1	2	6	4	4
Up and over G808 (p7)	1	1	4	2				1		1		1			2	6	4	4
Climb and slide G815 (p7)	1		2	1	1			1				1		1	1	5	4	2
Climb and slide with roof G816 (p7)	1		2	1	1			1	1			1		1	1	5	4	2
Sand dune G826 (p8)	1	1	4	2	1			1				1			2	6	4	4
Rapunzel's tower G828 (p8)	1		2	1	1			2	1	1		1	1	1	1	8	6	2
Billy goat's bridge with slide G835 (p9)	1		2	1	1	1		1				1		1	3	4	6	2
Billy goat's bridge with ramp G836 (p9)	1	1	4	2		1		1				1		1	4	5	6	4
Knightsbridge G837 (p10)	1		2	1	1	1		2	1			2	1	1	3	7	8	2
Knightsbridge with balcony G838 (p10)	1		2	1	1	1		2	1	1	1	1	1		3	7	8	2
Tower bridge G847 (p11)	1	1	4	2	1	1		3	2			2	1	2	4	11	10	4
Tower bridge with balcony G848 (p11)	1	1	4	2	1	1		3	2	1	1	1	1	1	4	11	10	4
Mole hole with slide G855 (p12)	1		2	1	1		1	2				2	2		1	9	8	2
Mole hole with ramp G856 (p12)	1	1	4	2			1	2				2	2		2	10	8	4
Gnome home with slide G857 (p13)	1		2	1	1		1	2	1			1	2	1	1	9	8	2
Gnome home with ramp G858 (p13)	1	1	4	2			1	2	1			1	2	1	2	10	8	4
Windsor castle G846 (p14)	1		2	1	1			3	1	1	1	2	1	1	1	11	8	2
The palace G865 (p15)	1		2	1	1	1	1	3	2	1	1	2	1	1	3	11	12	2

The Bridge weighs 20 kg and is the heaviest part.

Maintenance

Make a routine visual inspection daily before use for cracks, breaks, loose and/or missing parts. Every 1 to 3 months manually check that all connectors are tight and all components are functioning. Every year perform a thorough safety inspection of all components. If equipment is subject to heavy use increase inspection and maintenance as appropriate.

Remove the product from service when any condition develops which might make operation unsafe. If you plan to store your gym, remember it is made of wood, and needs to be kept in a dry place.

Construction

The wooden components are manufactured from durable birch plywood or solid birch protected with a child-safe finish.

Cleaning

Wipe with a damp cloth and mild detergent. Dry immediately. Leaving water or cleaning agent on the surface may damage the finish.

When cleaning plastic surfaces, do not use harsh detergents or cleansers. These may scratch or mar the surface. Nontoxic household plastic cleaners should work well.

Vacuum carpets frequently. If you need to wash them, they are removable. The carpet is attached with hook and loop fasteners.

We recommend steam cleaning the carpet. Do not soak carpet to remove stains, dirt or other grime. Do not rinse under the tap or use excessive water.

Carpet stains and spots should be attended to as soon as they occur. Liquid stains like ink can be removed by using absorbent cloth. Solid stains should be taken out with a spoon or the end of a knife. To prevent the stain from spreading don't rub it; instead remove the stain by firmly dabbing it repeatedly with an absorbent cloth, starting from the edges and moving to the centre.

User modifications

We are not responsible for modifications made by customers to our products in the field, without our supervision, testing, or evaluation.

Ordering parts

To order replacement parts, contact customer service with a description of the part(s) needed and the ID code from the product.

Use only replacement parts supplied by Community Playthings.

Basic skills

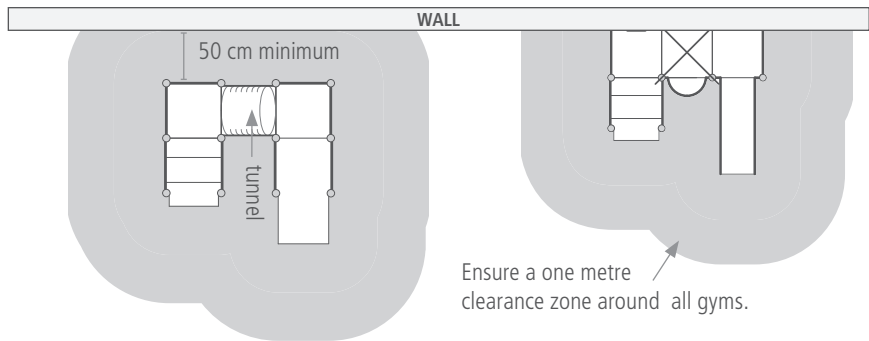
No tools required.

These basic skills are for building any of the Nursery gym layouts in this book. After you have read through the basic skills, choose the layout you would like to build and follow the plan provided.

Nursery gym placement: Your Nursery gym must be directly against the wall of your room, or more than 50 cm away. Ensure a one metre clearance zone around all other sides.

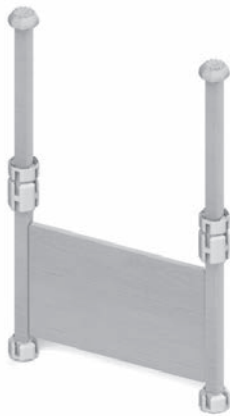
⚠ WARNING

Any gym with a tunnel must be 50 cm or more away from the wall.



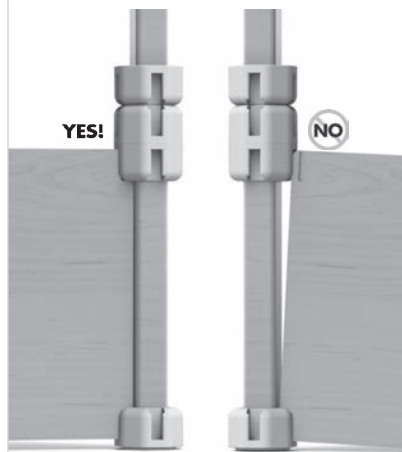
Decide where to locate the small mirror panel(s). Insert a short panel into the bottom two connector rings. Capture the panel by sliding down another two connector rings into the grooves.

1



Check the joints. Every panel should be locked in place by four connector rings. Repeat this step for each panel as you build your gym.

2



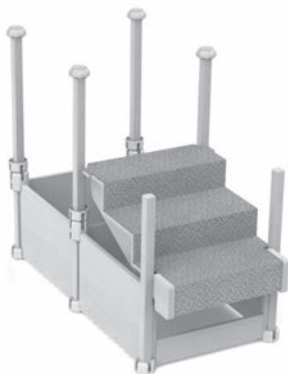
To add the next panel, lift one of the connector rings and use it to capture the new panel. Assemble the first layer of your gym by following the pattern you have chosen. The banister brace is used between 2 short posts under the stairs and ramp. Go slowly; it is hard to replace a panel after a layer is placed on top.

3



To add the stairs or ramp you will need to unscrew the caps and slide off three connector rings from the short posts first. Add stairs, then replace the connector rings. The ramp is added in the same way. The ramp and stairs are exchangeable in all configurations.

4



Before the upper panels can be added you must unscrew the cap and slide off the top connector ring.

5



Use tall panels to create the top layers, following the pattern you have chosen. Replace the top connector rings as you go, so each panel is captured by four connector rings. Remember, upper panels are exchangeable and can face either in or out.

6



Once the bridge braces are in place, lay the bridge surface on top. Install the bridge railings with the brand facing out.

7



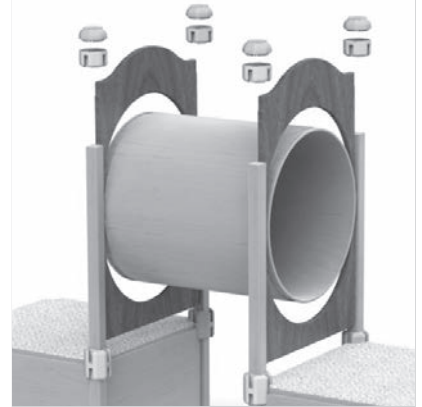
Insert the balcony the same way as any other upper panel.

8



Install both the lower tunnel cradles. Place the wooden barrel in the cradles and add the upper cradles. Ensure top and bottom cradles are interlocked and positioned in the barrel grooves.

9



Once connector rings are in place, two people can lift the roof into place. Align the bolts with the threaded holes in the top of the post. Tighten down all four roof caps half way, and then tighten them down hard so your children can't get them off. You will have four extra caps.

10



When all the upper panels are in place, screw a cap to each post. Tighten them down hard so your children can't get them off.

11



To add the slide, make sure both sides are captured by the connector rings. Then add the two slide handles on top locking them in place with the top connectors.

12



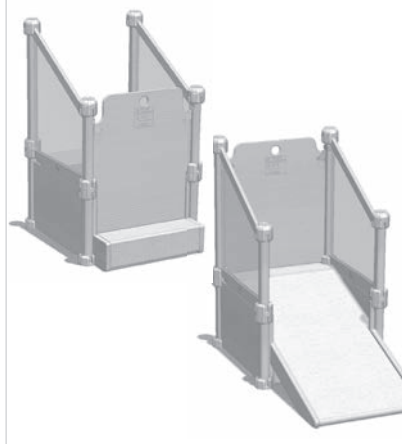
Insert the gate over the slide handles to close the slide. The gate can face either in or out. When used under a roof, face gate guides towards platform.

13



Extra gates are available if you wish to close off activity areas. Use at the bottom of the stairs (G895) or the top of the ramp (G888).

14



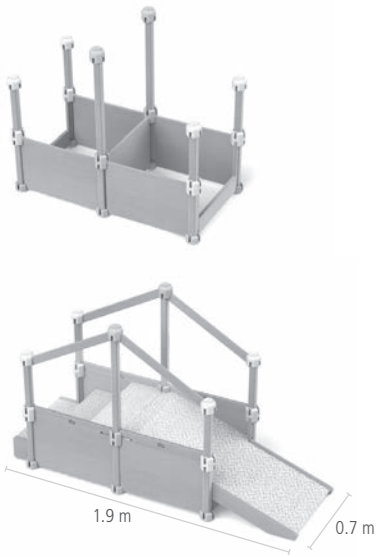
Use a simple strap wrench, jar gripper, or similar tool to remove the connector.

15



Climb and crawl G805

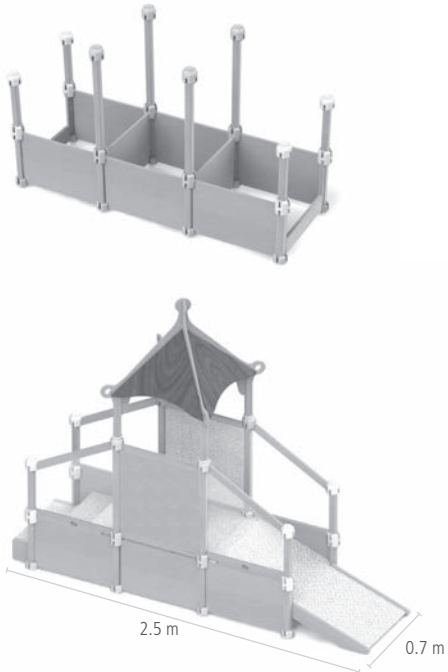
Choose lower mirror locations before you start.



Up and over with roof G807

Choose lower mirror locations before you start. Remove four top caps to install roof.

Configuration A



Configuration B

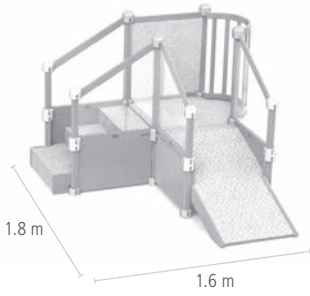


Up and over G808

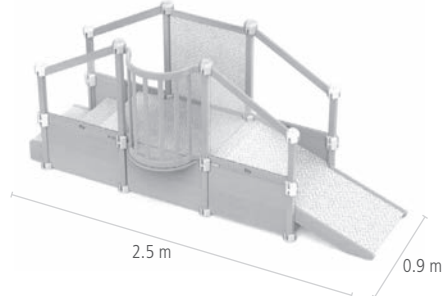
Choose lower mirror locations before you start.

Basic skills
on page 4

Configuration A

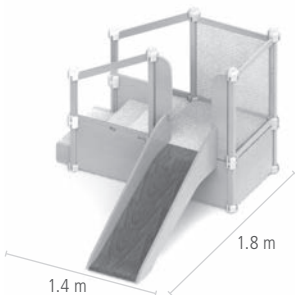
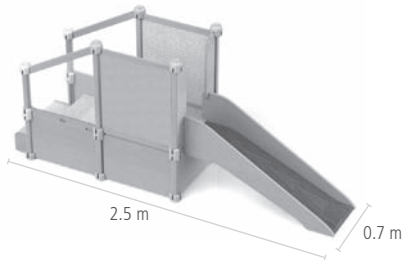


Configuration B



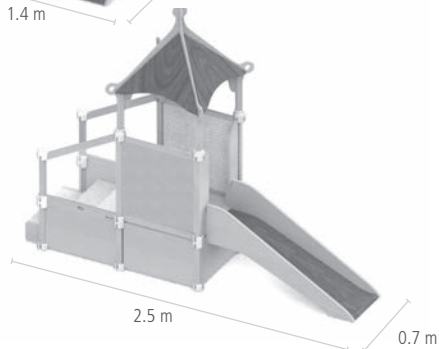
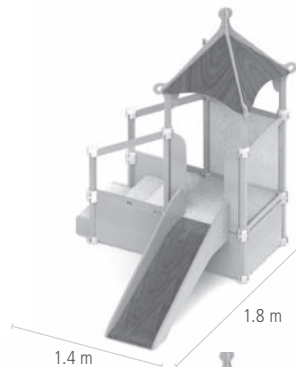
Climb and slide G815

Choose lower mirror locations before you start.



Climb and slide with roof G816

Choose lower mirror locations before you start. Remove four top caps to install roof.

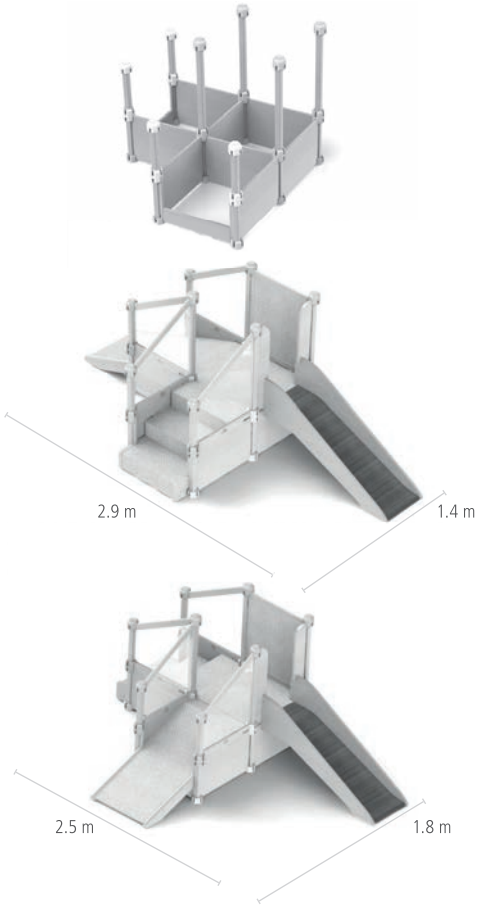


Sand dune G826

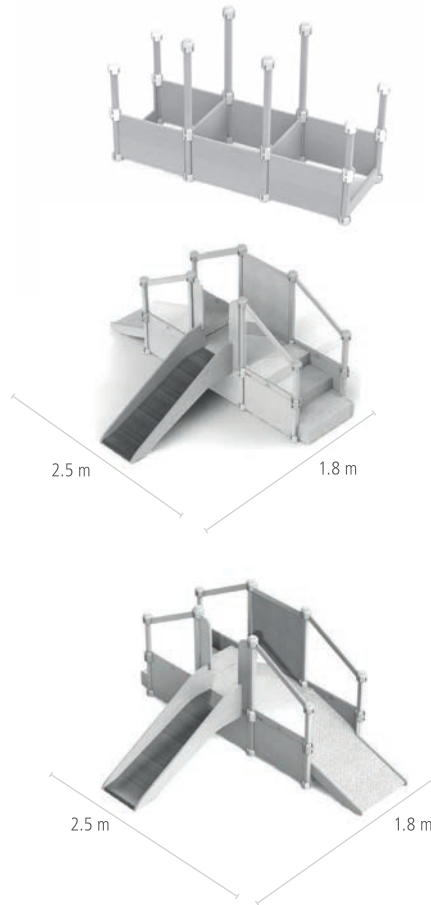
Choose lower mirror locations before you start.

Basic skills
on page 4

Configuration A



Configuration B



Rapunzel's tower G828

Choose lower mirror locations before you start. Remove four top caps to install roof.

Configuration A



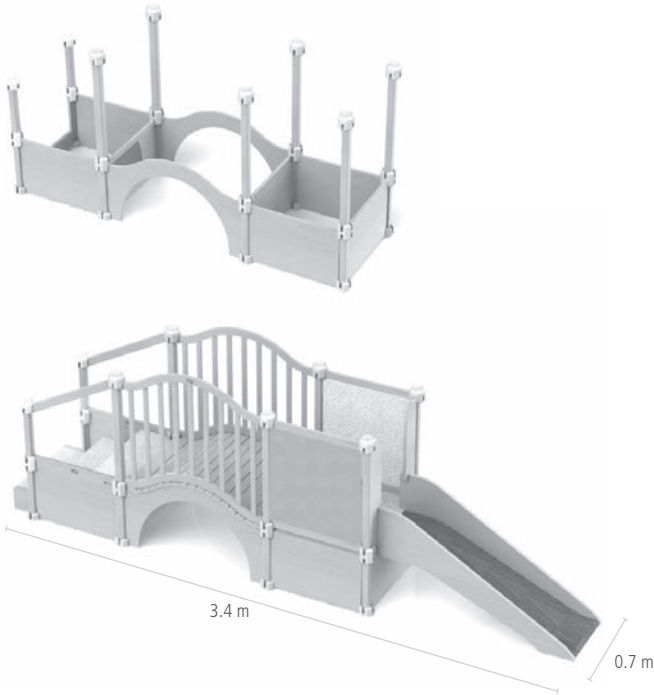
Configuration B



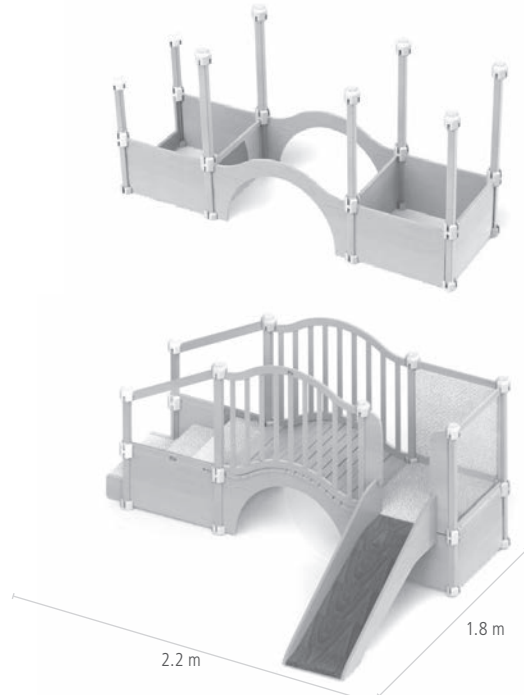
Billy goat's bridge with slide G835

Positioning the gym next to the wall creates a little den under the bridge. Spacing it at least 50 cm away makes a crawl-through space under the bridge. Choose lower mirror locations before you start. Consider two mirrors under the bridge.

Configuration A



Configuration B



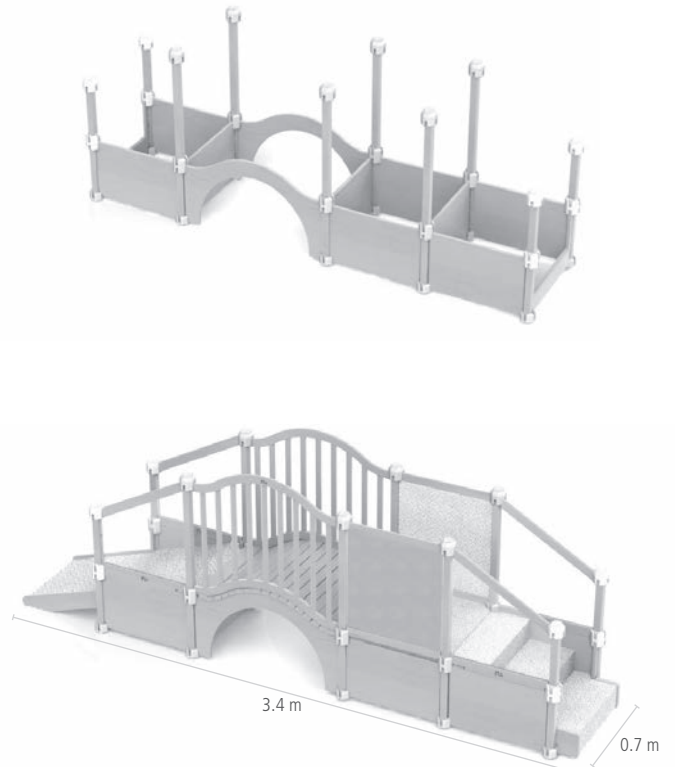
Billy goat's bridge with ramp G836

Positioning the gym next to the wall creates a little den under the bridge. Spacing it at least 50 cm away makes a crawl-through space under the bridge. Choose lower mirror locations before you start. Consider two mirrors under the bridge.

Configuration A



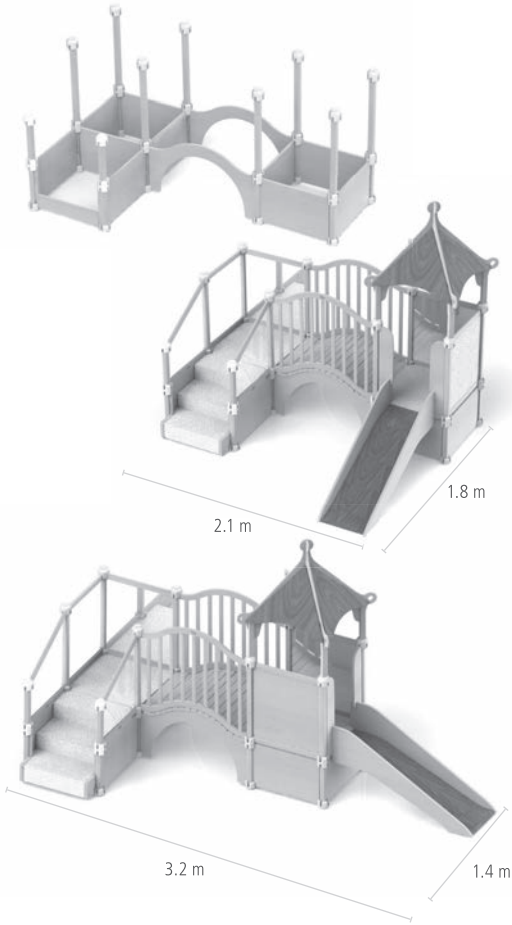
Configuration B



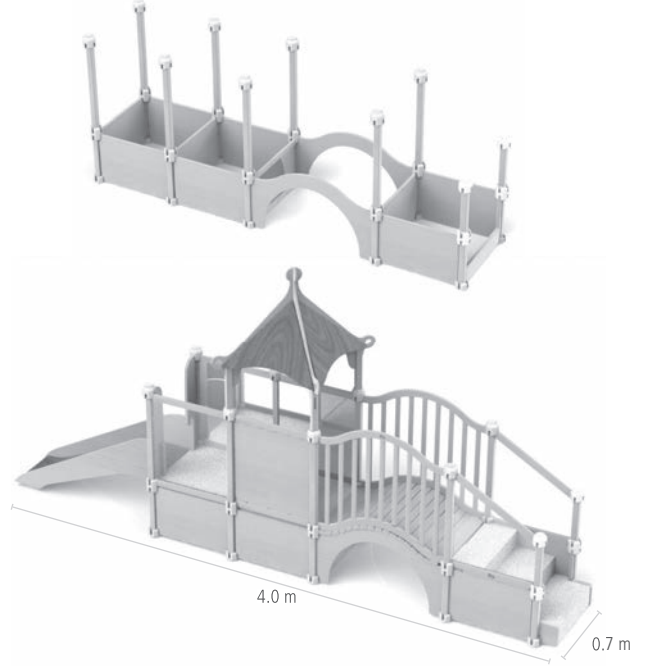
Knightsbridge G837

Position the gym against the wall to create a little den under the bridge. Space it at least 50 cm away to make a crawl-through space under the bridge. Choose lower mirror locations before you start. Consider two mirrors under the bridge. Remove four top caps to install roof.

Configuration A



Configuration B



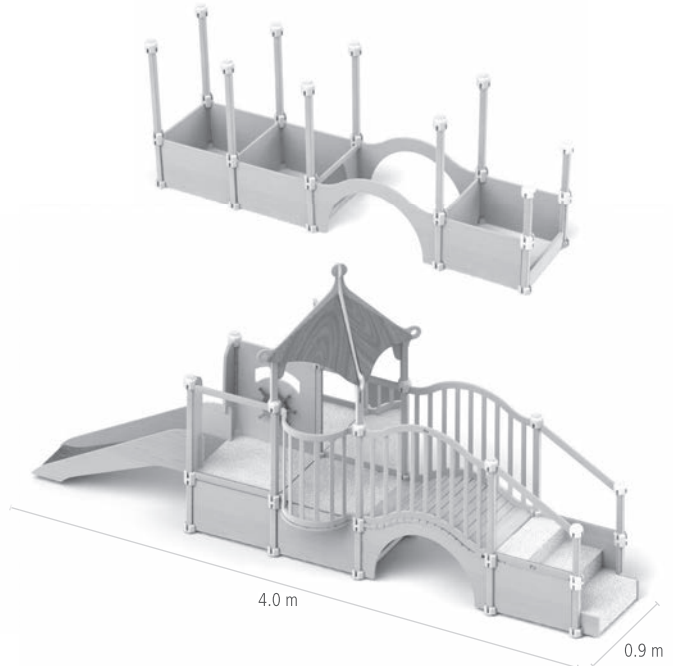
Knightsbridge with balcony G838

Position the gym against the wall to create a little den under the bridge. Space it at least 50 cm away to make a crawl-through space under the bridge. Choose lower mirror locations before you start. Consider two mirrors under the bridge. Remove four top caps to install roof.

Configuration A



Configuration B

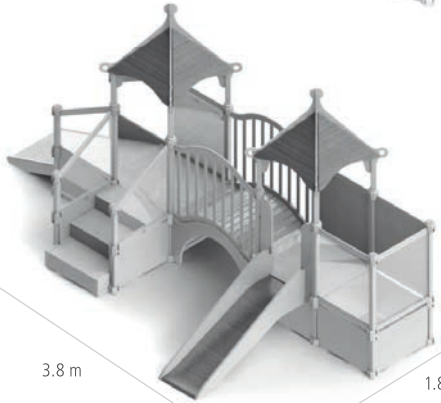
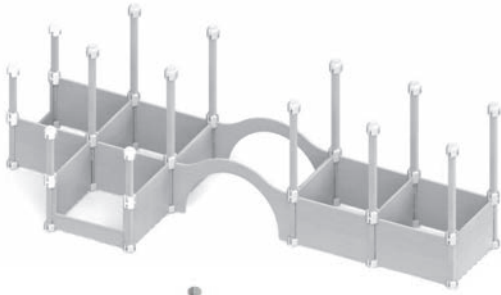


Tower bridge G847

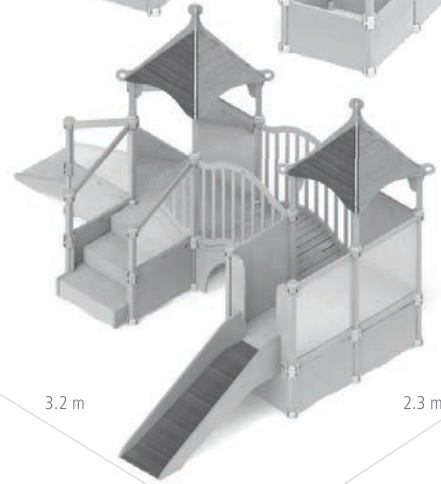
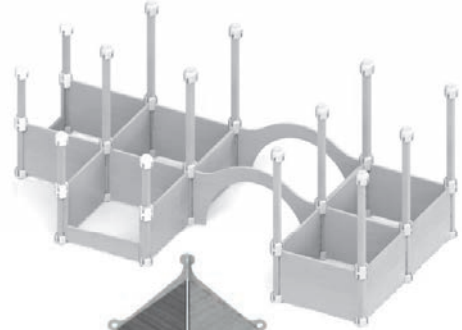
Choose lower mirror locations before you start. Consider two mirrors under the bridge. Remove four top caps to install roof.

Basic skills
on page 4

Configuration A



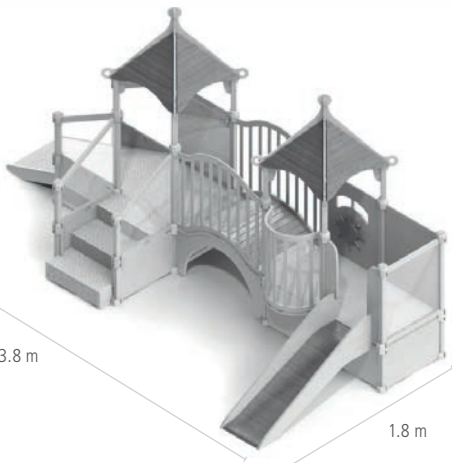
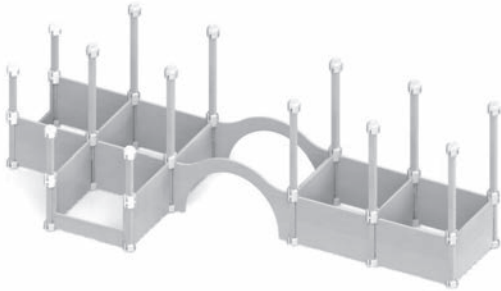
Configuration B



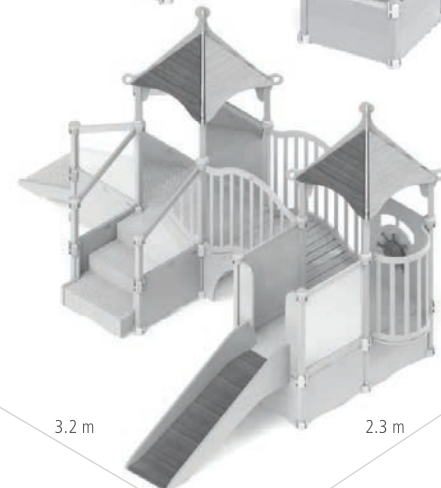
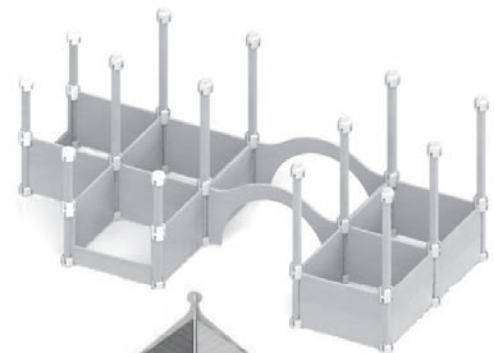
Tower bridge with balcony G848

Choose lower mirror locations before you start. Consider two mirrors under the bridge. Remove four top caps to install roof.

Configuration A



Configuration B

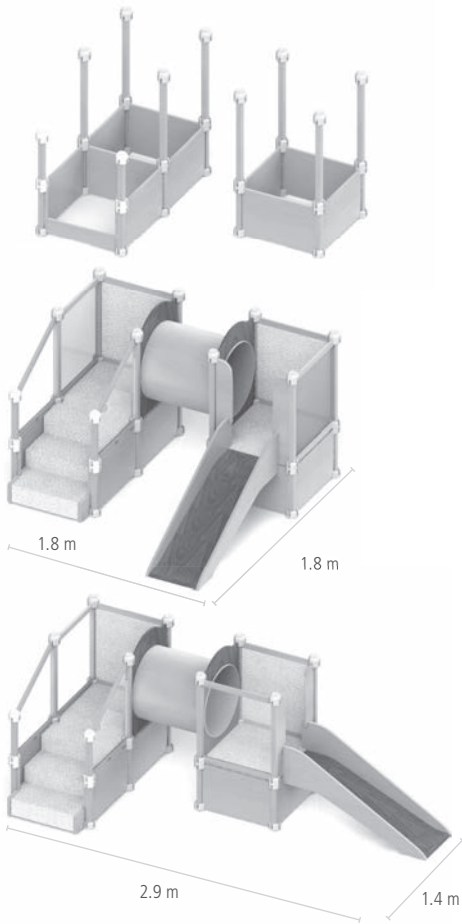


Mole hole with slide G855

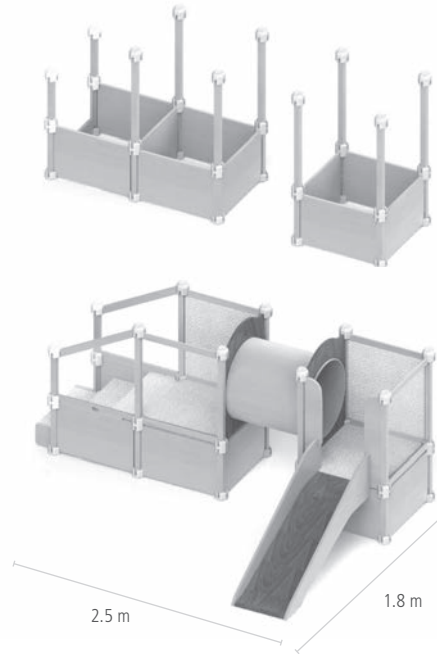
Choose lower mirror locations before you start.

⚠ WARNING
Any gym with a tunnel must be 50 cm minimum from the wall.

Configuration A



Configuration B

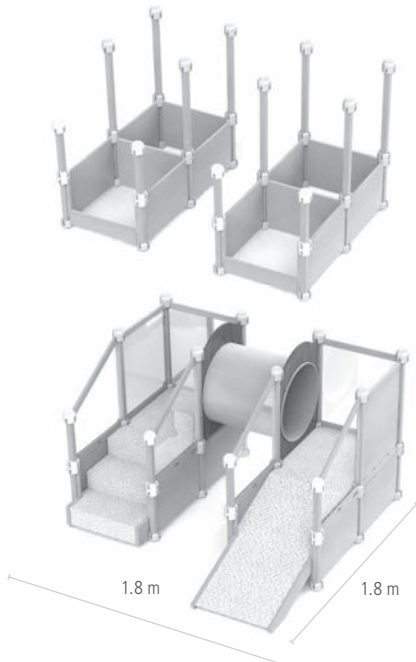


*Basic skills
on page 4*

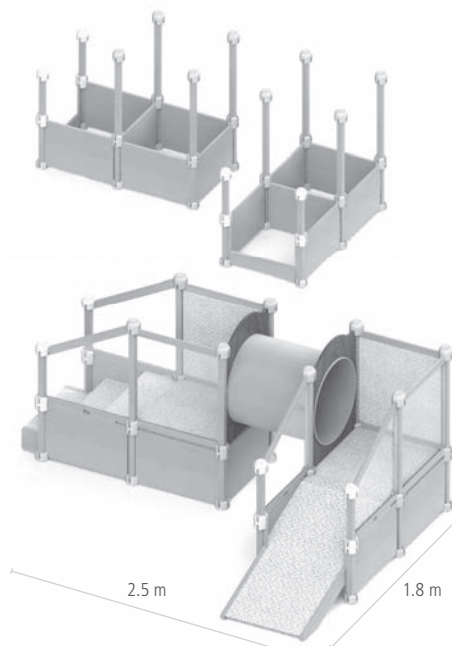
Mole hole with ramp G856

Choose lower mirror locations before you start.

Configuration A



Configuration B



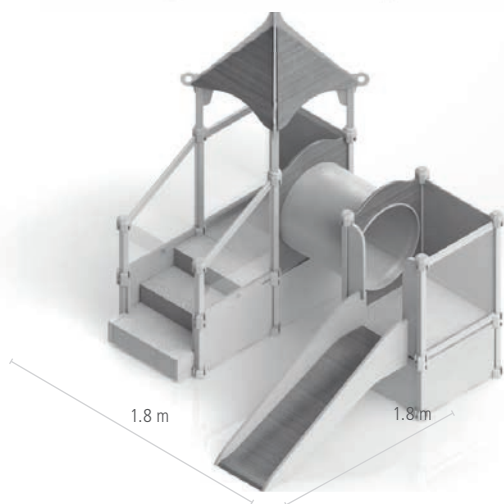
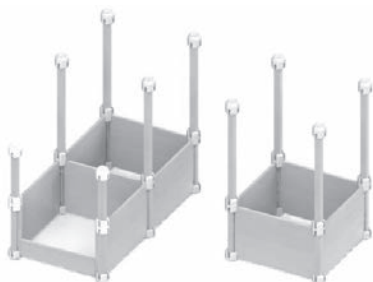
Gnome home with slide G857

Choose lower mirror locations before you start. Remove four top caps to install roof.

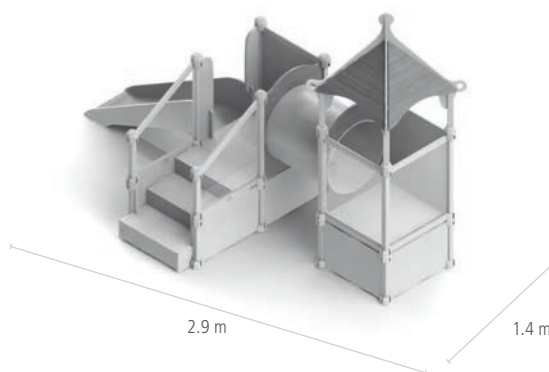
⚠ WARNING

Any gym with a tunnel must be 50 cm minimum from the wall.

Configuration A



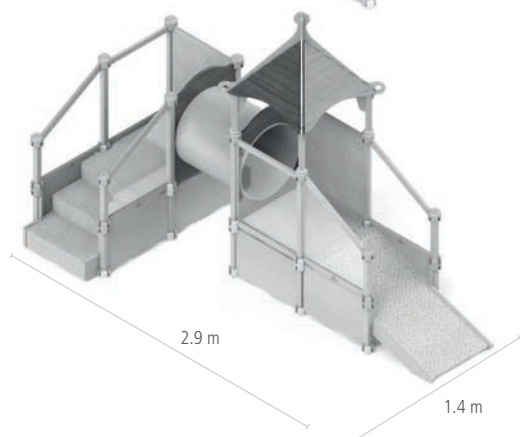
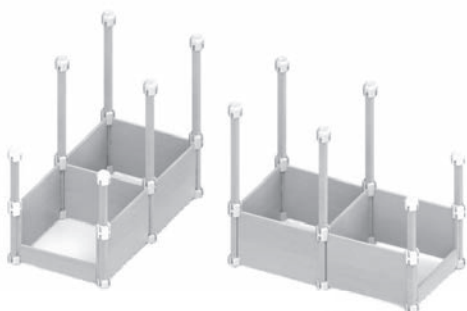
Configuration B



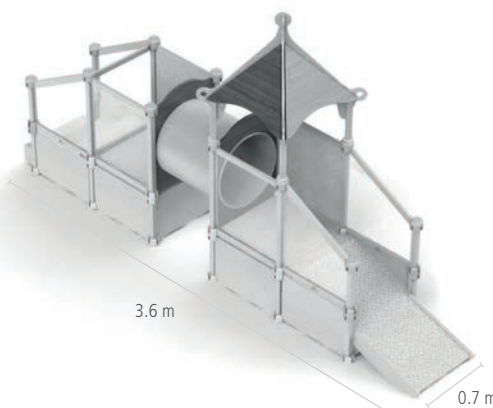
Gnome home with ramp G858

Choose lower mirror locations before you start. Remove four top caps to install roof.

Configuration A



Configuration B

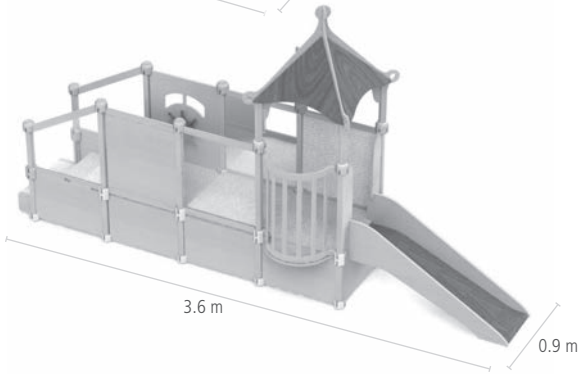
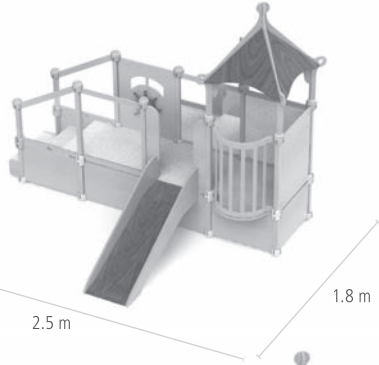


Windsor castle G846

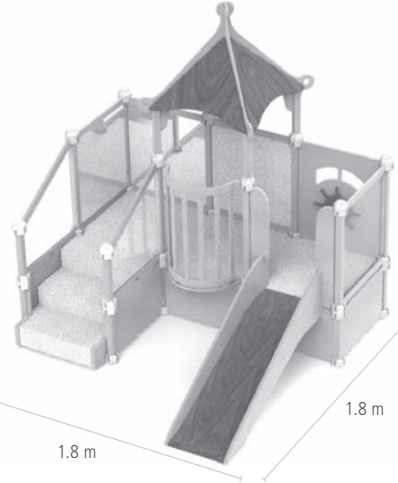
Choose lower mirror locations before you start. Remove four top caps to install roof.

Basic skills
on page 4

Configuration A



Configuration B



The palace G865

Choose lower mirror locations before you start.
Consider two mirrors under the bridge. Remove four top caps to install roof.

⚠ WARNING

Any gym with a tunnel must be 50 cm minimum from the wall.

Configuration A



Configuration B



Configuration C

